



DESCRIPTION



Capacity: 6 x 1/1 GN
6 x 60x40
6 x 60x40 - 1/1 GN



Trays insertion: Cross wise



Dimensions: 870 x 770 x H 715 mm



Control panel: Programmable



Indicative quantity of meals: --



Cooking chamber heating: Electric

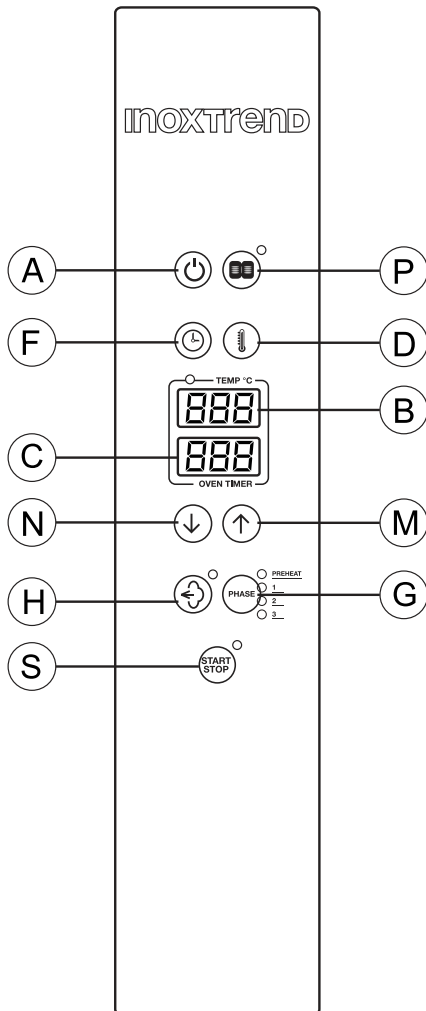


Steam generation: Direct system

COOKING MODES AND FUNCTIONING

	Convection mode	Temperature range between 50 °C and 300 °C
	Convection with humidification Cooking	Temperature range between 50 °C and 300 °C 4 different humidity level selectable
	Automatic programs	99 Automatic programs (3 phases with preheating)

COMPONENT DESCRIPTION ON THE PROGRAMMABLE CONTROL PANEL



(A)	ON/OFF button
(B)	Temperature display
(C)	Time display
(D)	Cooking chamber temperature selection
(F)	Time selection
(G)	Program phases
(H)	Humidification selection
(M)	Increase value button
(N)	Reduce value button
(P)	Automatic programs
(S)	Start/stop button

MANUFACTURING FEATURES

- Heating system located on the back side of the cooking chamber;
- Waterproof cooking chamber in stainless steel AISI 430;
- Cooking chamber with external welding;
- External covering panels made of satin stainless steel AISI 430;
- Base chassis made of stainless steel AISI 430;
- Heating elements made of stainless steel Incoloy 800;
- Thermal insulation of the cooking chamber in ceramics fibre;
- Cooking chamber fans made of stainless steel AISI 430;

OPTIONAL ACCESSORIES

Code	Description
S-31G8	Stand H 85 cm
SG-31G8	Stand with tray holder

DIMENSIONS

	OVEN	PACKAGE
Width	870 mm	
Depth (with door handle)	770 mm	
Height	715 mm	
Weight	85 kg	

WATER SUPPLY

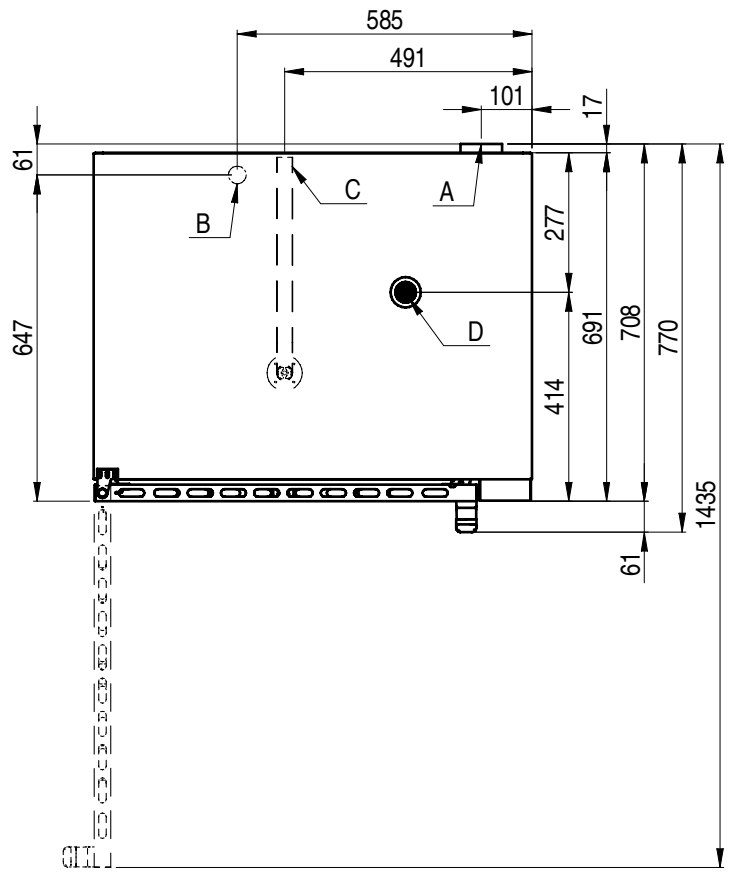
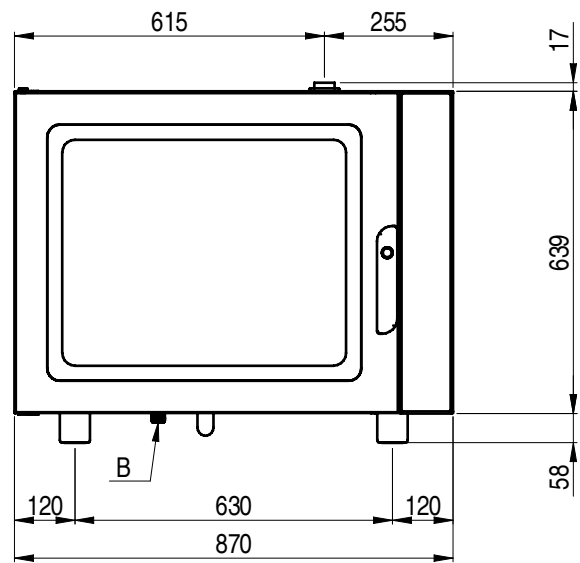
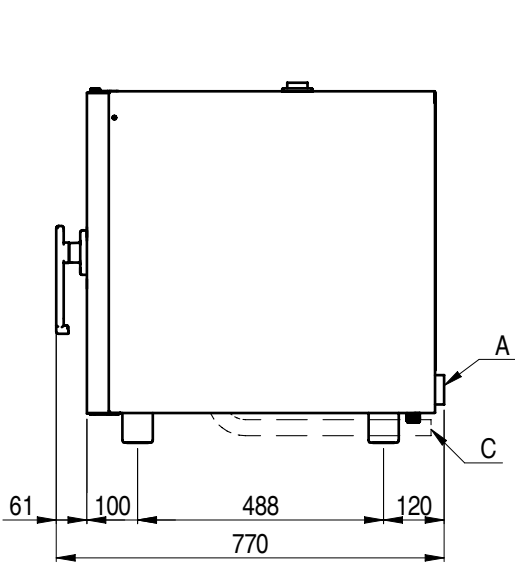
Water supply coupling	Ø ¾" gas
Water pressure	1.5 - 2.5 bar
Water hardness	4 - 12 °f = 40 - 120 ppm
Water conductivity	50 e 2000 µS/cm
Chlorine concentr. Cl₂	< 0.2 mg/litre
Chloride concentration	< 150 mg/litre
Water drain coupling	Ø 32 mm

POWER SUPPLY

Model	GUP-106EB	GUP-606EB	GUP-006EB
Power loading	7.8 kW	7.8 kW	7.8 kW
Chamber power	7.6 kW	7.6 kW	7.6 kW
Grill power	--	--	--
Power of the motors	n° 2 x 100 W	n° 2 x 100 W	n° 2 x 100 W
Max. power loading	7.8 kW	7.8 kW	7.8 kW
Voltage	380 - 415 V +3N ~ 50/60 Hz		
Absorbed current	13.5 A	13.5 A	13.5 A
Feed cable section	n° 5 x 2.5 mm ²		

Capacity	6 x 1/1 GN	6 x 60x40	6 x 60x40-1/1 GN
Pitch between trays	75 mm		

MODELS 106 - 606 - 006



- A Electrical cables connection
- B Water inlet Ø 3/4" gas
- C Water drain coupling
- D Cooking chamber release valve

